
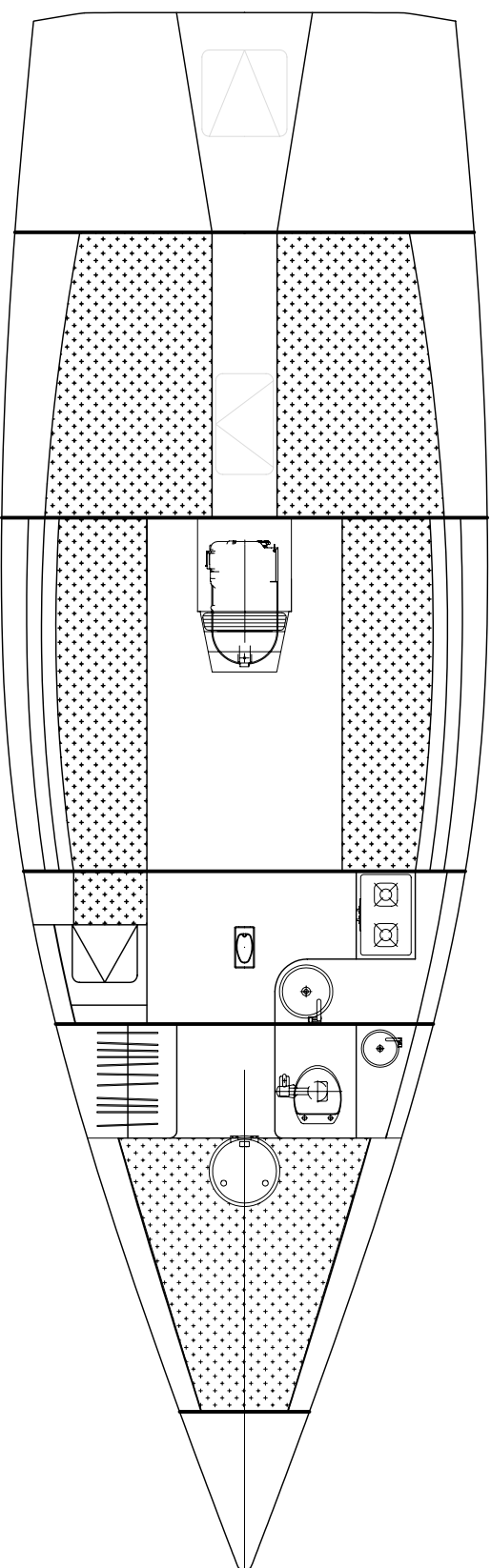
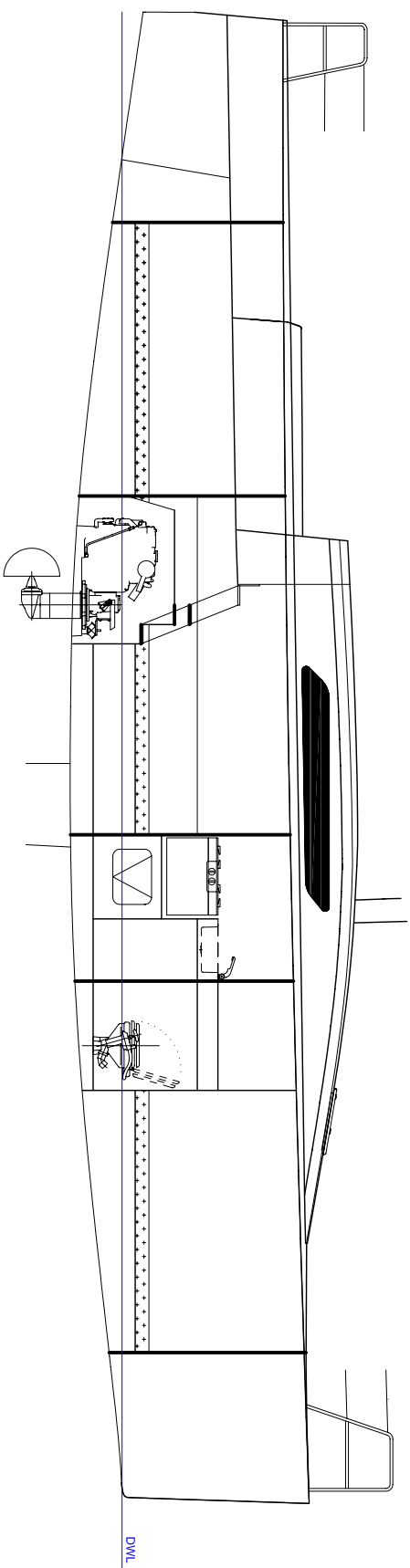


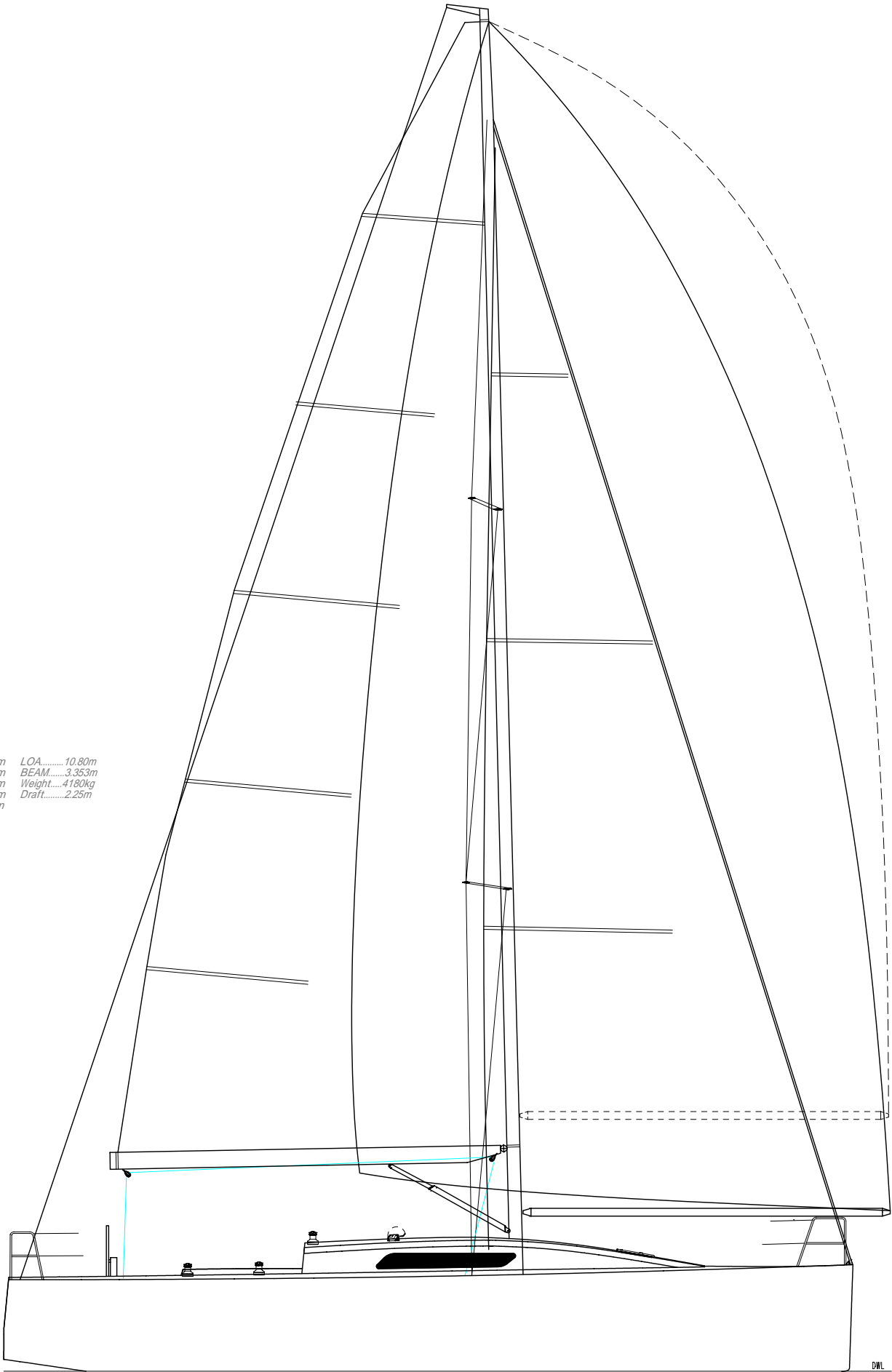
PROJECT NAME: ACT-IRC36			COPYRIGHT ALL RIGHTS RESERVED. THIS DRAWING IS THE PROPERTY OF ACT CO. LTD. AND MAY NOT BE COPIED OR USED FOR ANY PURPOSE WITHOUT THE PRIOR WRITTEN CONSENT OF ACT.
DRAWING TITLE: DECK PLAN			
DRAWING NO: 012-D5-2	FILENAME: 012-D5-DECK.VLM		
SCALE: 1/50	DATE: Feb 2 2008	DRAWN BY: A. KANA I	
ACT DesignTeam 			



PROJECT NAME	ACT-HK306
INTERIOR PLAN	
012-D5-3	012-D5-INTERIOR.VLM
1/30	2 Feb 2008 A. KAWAI
ACT Design Team	

COPYRIGHT  
 ALL RIGHTS RESERVED. THIS DRAWING IS THE  
 PROPERTY OF ACT CO., LTD. AND MAY NOT BE  
 COPIED OR USED FOR ANY PURPOSE WITHOUT THE  
 PRIOR WRITTEN CONSENT OF ACT.

L.....14.70m    LOA.....10.80m  
 J.....4.20m    BEAM.....3.353m  
 P.....14.30m    Weight.....4180kg  
 E.....4.95m    Draft.....2.25m  
 BAS.....1.65m



DWL

PROJECT NAME: ACT-IRC36		COPYRIGHT: ALL RIGHTS RESERVED. THIS DRAWING IS THE PROPERTY OF ACT CO. LTD. AND MAY NOT BE COPIED OR USED FOR ANY PURPOSE WITHOUT THE PRIOR WRITTEN CONSENT OF ACT.
DRAWING TITLE: GA/SAIL PLAN		
DRAWING NO: 012-D5-1	FILE NAME: 012-D5-SailPlan.VLM	
SCALE: 1/70	DATE: Feb 2 2008	DESIGNER: A. KANA I
ACT DesignTeam		